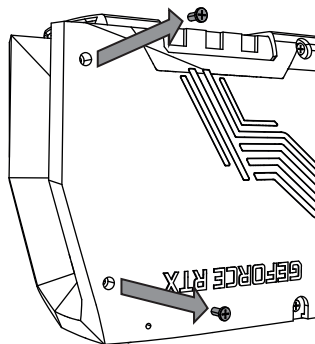
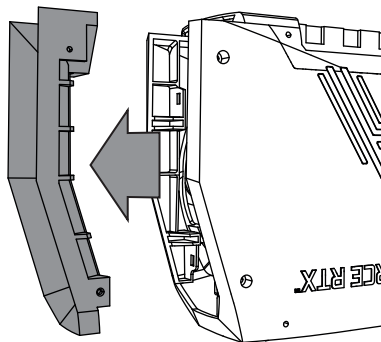


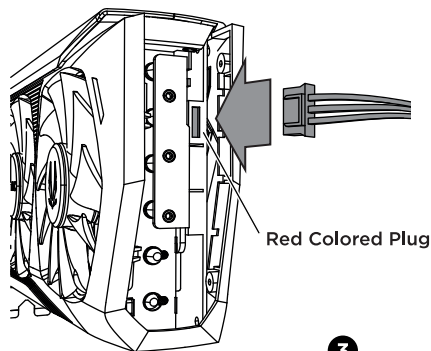
# EXTERNAL LIGHT STRIP INSTALLATION GUIDE



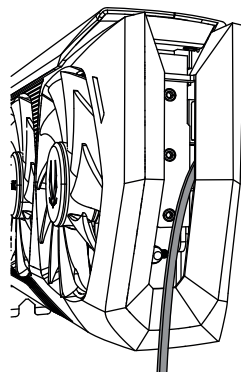
1



2



3



4

- Support 5V 3-pin LED light strip (not included)
- This feature is only available on select models